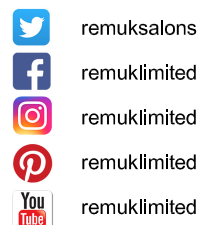


Lunar Modular Styling Unit  
05694 / 05694A  
Edition 3-2020



REM (UK) Limited  
Glenfield Mill,  
Glenfield Road,  
Nelson, Lancashire  
BB9 8AW  
T: +44 (0)1282 619 977  
F: +44 (0)1282 619 617  
E: sales@rem.co.uk  
W: www.rem.co.uk

Made in Britain 



Lunar Modular Styling Unit  
05694 / 05694A  
Edition 3-2020

**Product Name:** Lunar Styling Unit

**Product Type:** Styling Unit

**Product Codes:**

- 05694 - Lunar Styling Unit with Standard Mirror
- 05694A - Lunar Styling Unit with Storage Mirror

**Standard Equipment:**

- Rounded mirror
- Chrome trims on multiple units

**Optional Equipment:**

- Electric sockets
- Chrome holster
- Pop out holster
- Polycarbonate Straightner Holster
- Footrest

**Main Construction:**

- Timber construction finished in high pressure laminate from the REM laminate range

**Finish:**

- Any laminate from the REM swatch range

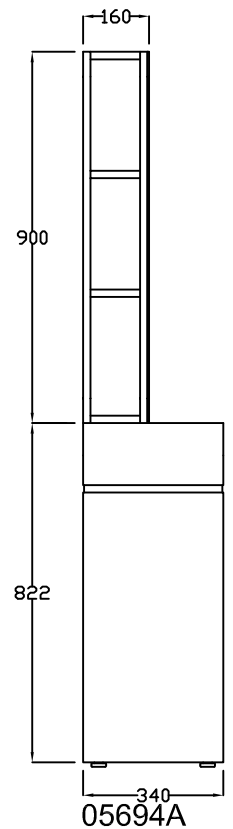
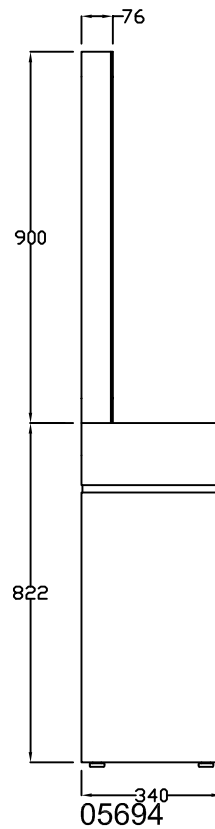
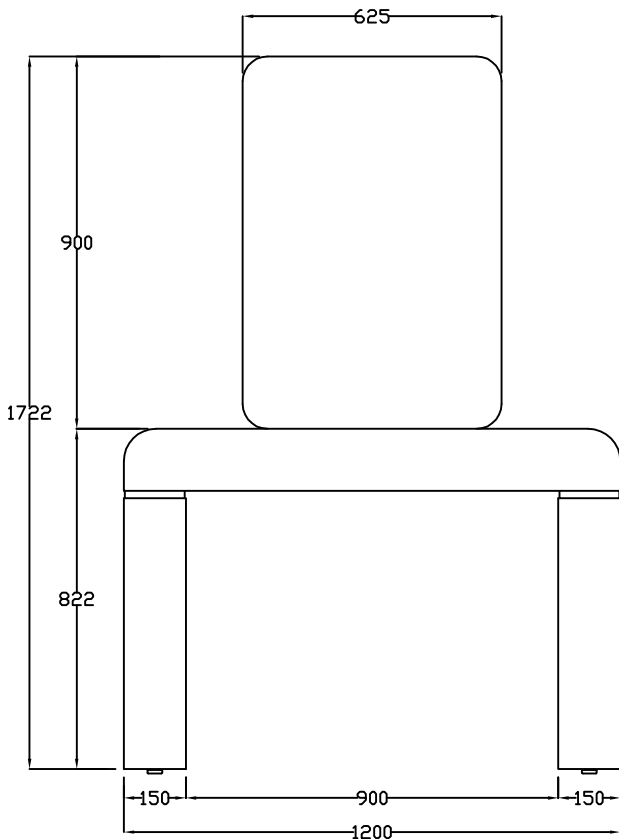
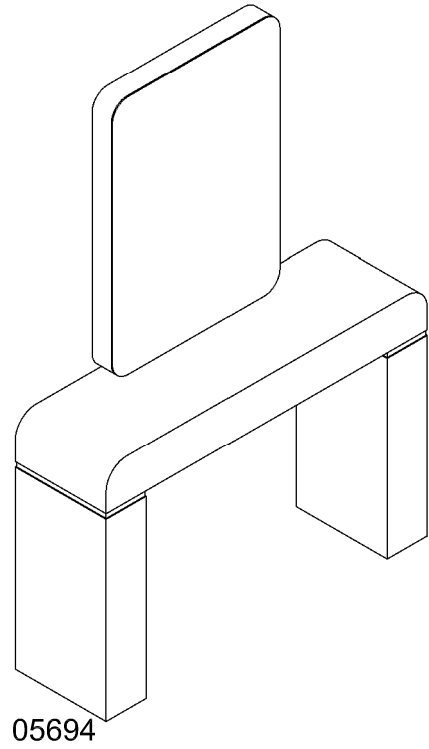
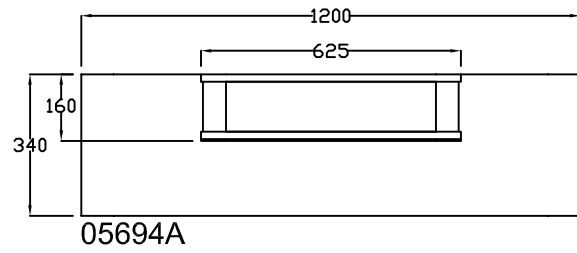
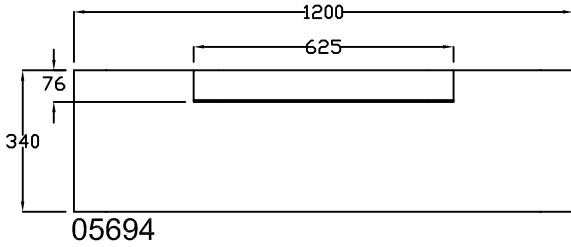
**Features:**

- Unique Design, part of the REM Lunar Range of products
- Choice of REM colours
- Can be made into modular runs of units



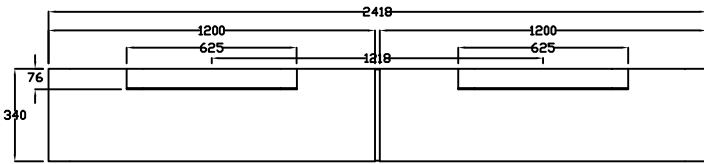
Lunar Modular Styling Unit  
05694 / 05694A  
Edition 3-2020

NOTE: sizes may vary slightly from shown

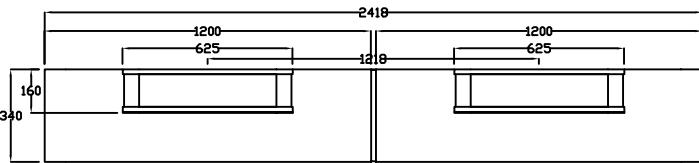


Lunar Modular Styling Unit  
05694 / 05694A x 2  
Edition 3-2020

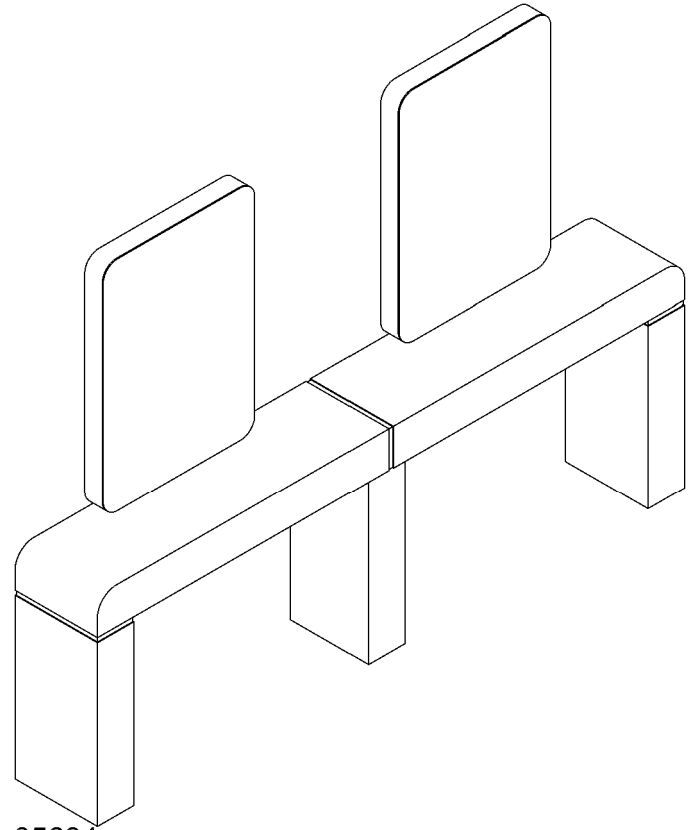
NOTE: sizes may vary slightly from shown



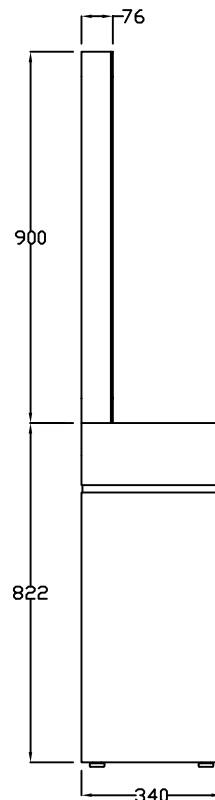
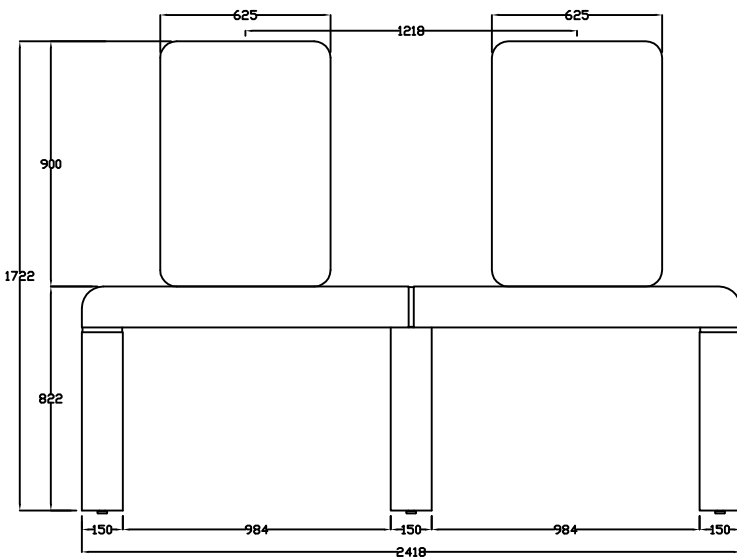
05694



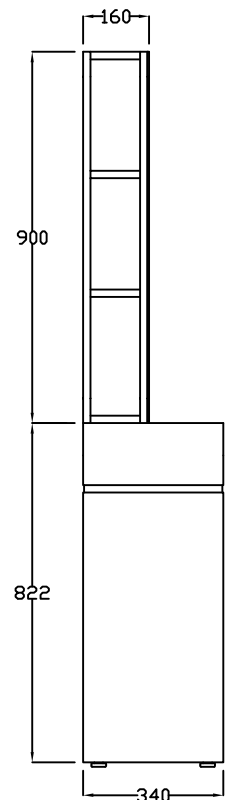
05694A



05694



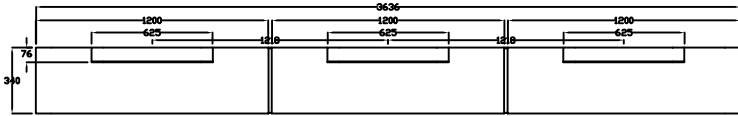
05694



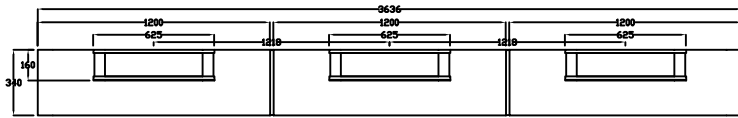
05694A

Lunar Modular Styling Unit  
05694 / 05694A x 3  
Edition 3-2020

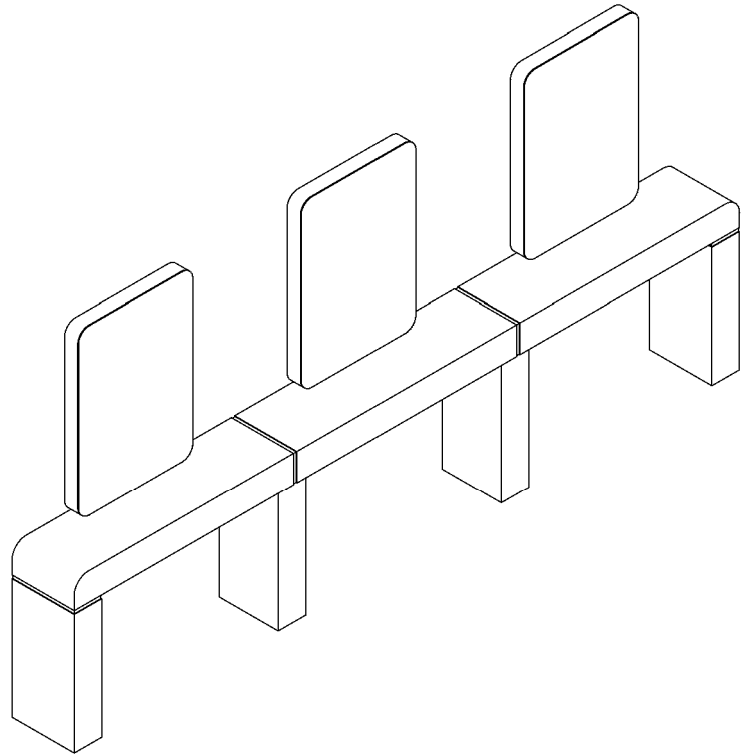
NOTE: sizes may vary slightly from shown



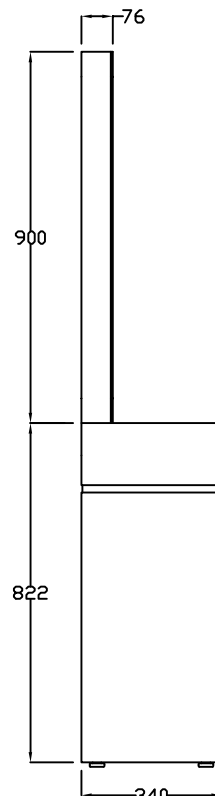
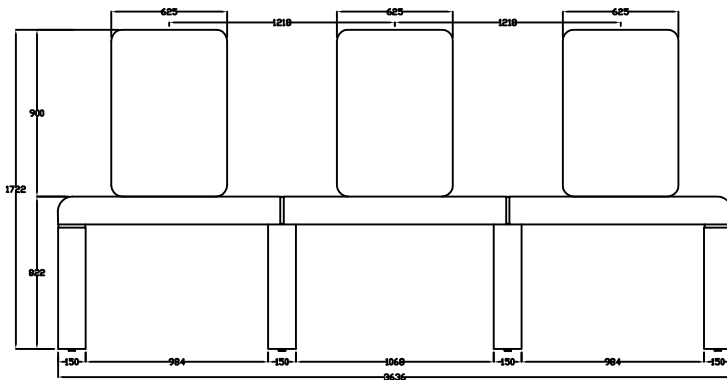
05694



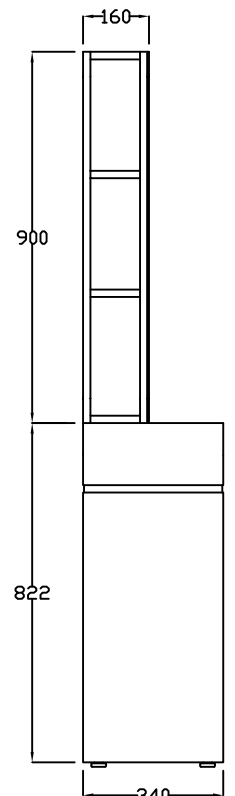
05694A



05694

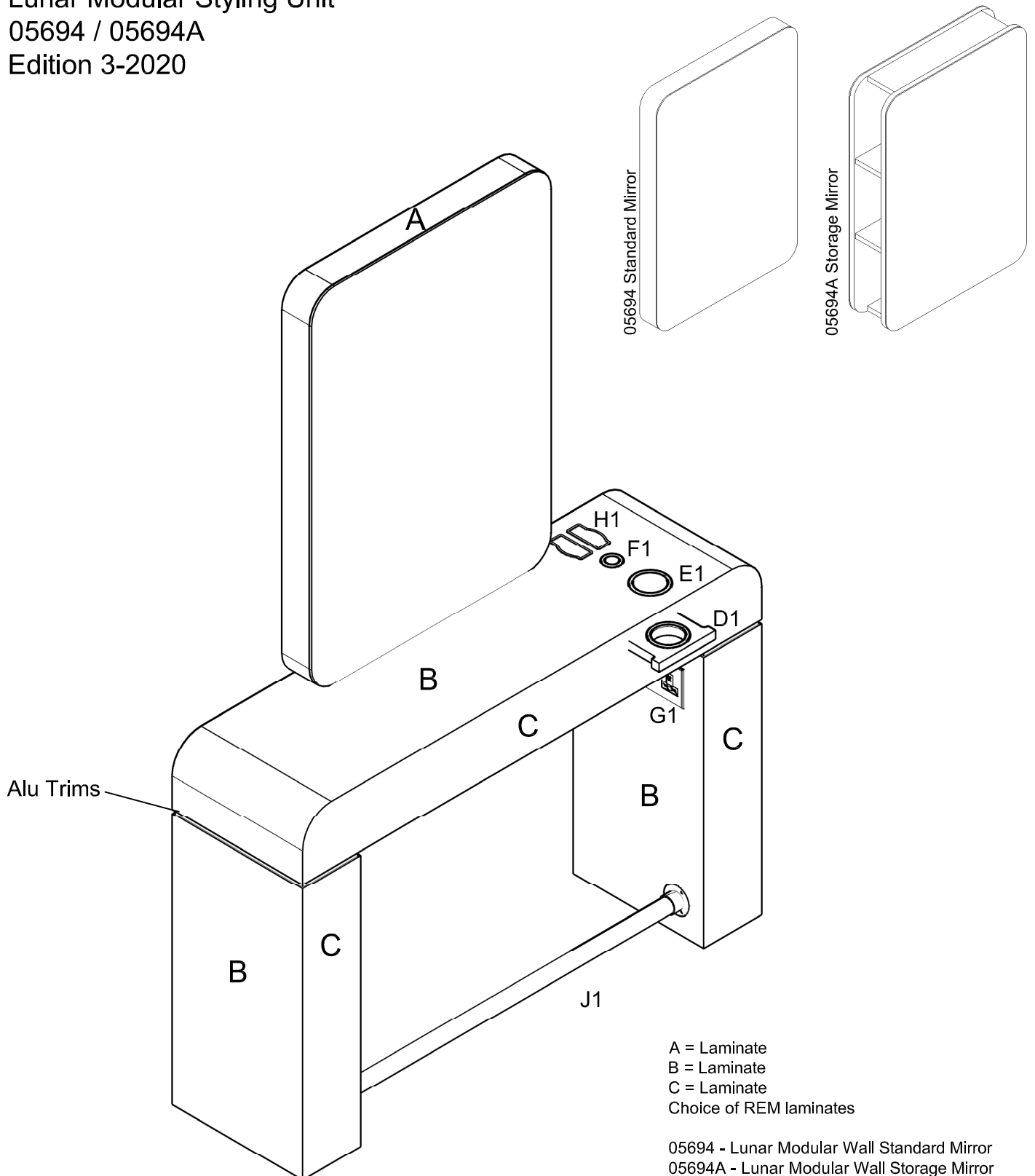


05694



05694A

Lunar Modular Styling Unit  
05694 / 05694A  
Edition 3-2020



A = Laminate  
B = Laminate  
C = Laminate  
Choice of REM laminates

05694 - Lunar Modular Wall Standard Mirror  
05694A - Lunar Modular Wall Storage Mirror

Optional extras must be clearly detailed at time of order:

D1 - Integral Holster RHS (05668)

or

E1 - Large Holster RHS (05823)

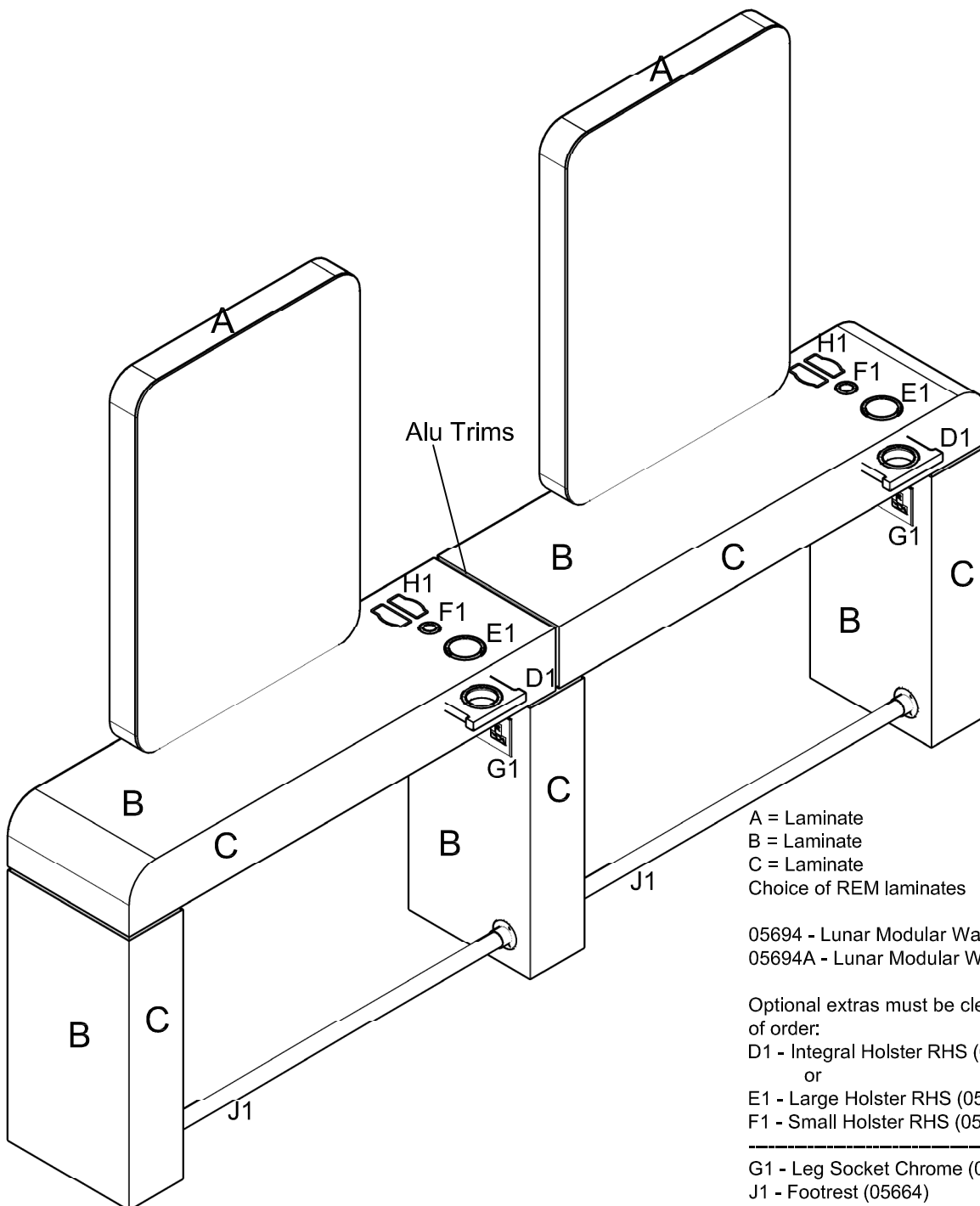
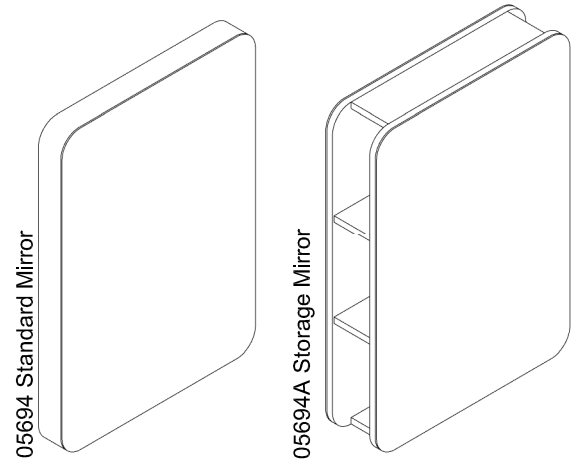
F1 - Small Holster RHS (05812)

G1 - Leg Socket Chrome (05852)

J1 - Footrest (05664)

H1 - Polycarbonate Straightener Holster (05811)

Lunar Modular Styling Unit  
 05694 / 05694A x 2  
 Edition 3-2020



A = Laminate  
 B = Laminate  
 C = Laminate  
 Choice of REM laminates

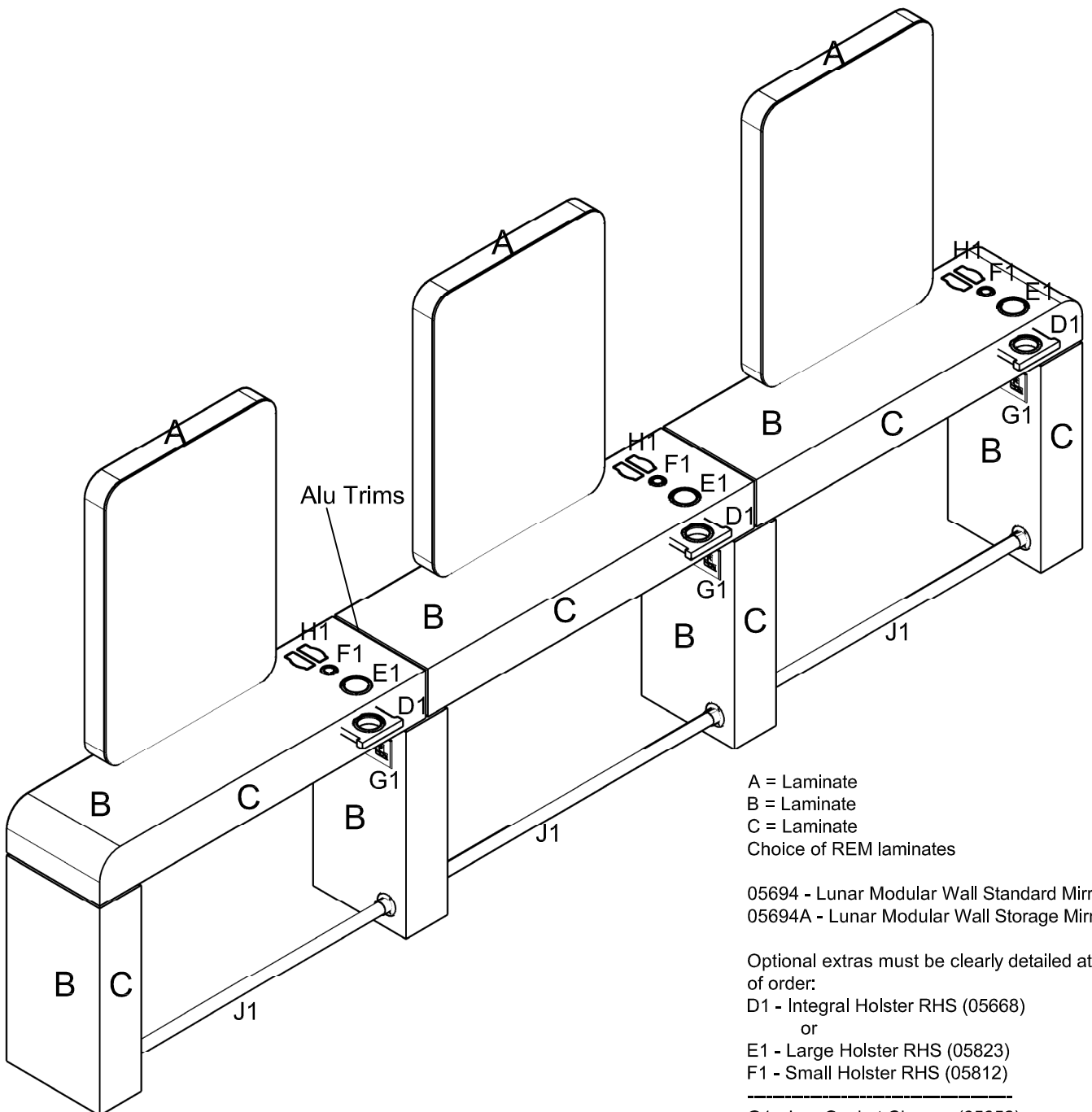
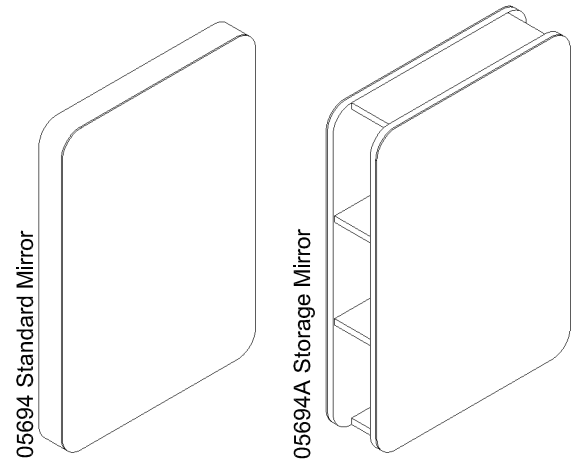
05694 - Lunar Modular Wall Standard Mirror  
 05694A - Lunar Modular Wall Storage Mirror

Optional extras must be clearly detailed at time of order:

- D1 - Integral Holster RHS (05668)
- or
- E1 - Large Holster RHS (05823)
- F1 - Small Holster RHS (05812)

- 
- G1 - Leg Socket Chrome (05852)
  - J1 - Footrest (05664)
  - H1 - Polycarbonate Straightener Holster (05811)

Lunar Modular Styling Unit  
 05694 / 05694A x 3  
 Edition 3-2020



A = Laminate  
 B = Laminate  
 C = Laminate  
 Choice of REM laminates

05694 - Lunar Modular Wall Standard Mirror  
 05694A - Lunar Modular Wall Storage Mirror

Optional extras must be clearly detailed at time of order:

- D1 - Integral Holster RHS (05668)
- or
- E1 - Large Holster RHS (05823)
- F1 - Small Holster RHS (05812)

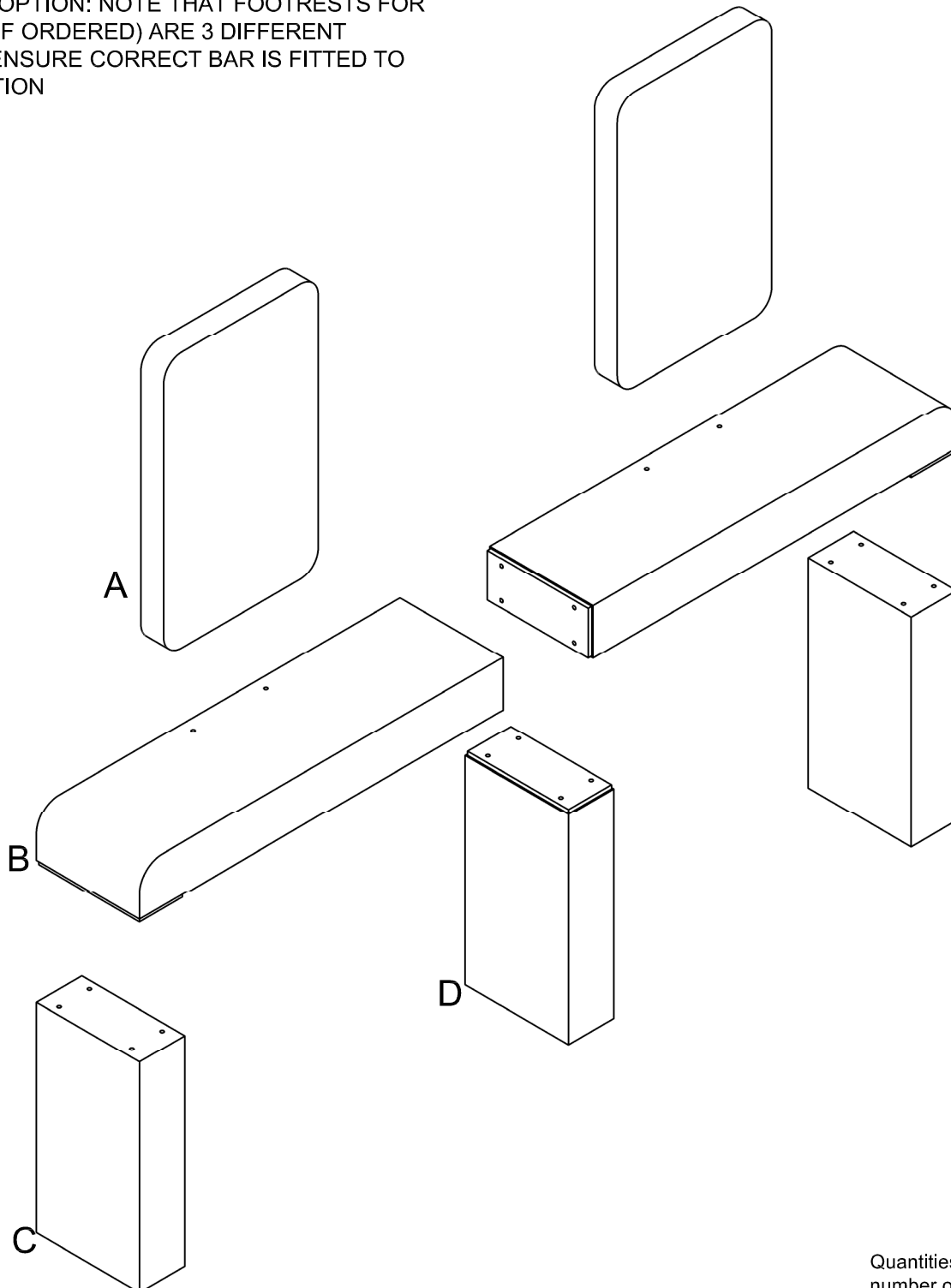
- 
- G1 - Leg Socket Chrome (05852)
  - J1 - Footrest (05664)
  - H1 - Polycarbonate Straightener Holster (05811)



Lunar Modular Styling Unit  
05694 / 05694A / 05699 / 05699A  
Edition 3-2020

NOTE: these are recommended fitting instructions. Please discuss our recommendations with a qualified furniture fitter.

FOOTREST OPTION: NOTE THAT FOOTRESTS FOR THIS UNIT (IF ORDERED) ARE 3 DIFFERENT LENGTHS, ENSURE CORRECT BAR IS FITTED TO EACH POSITION

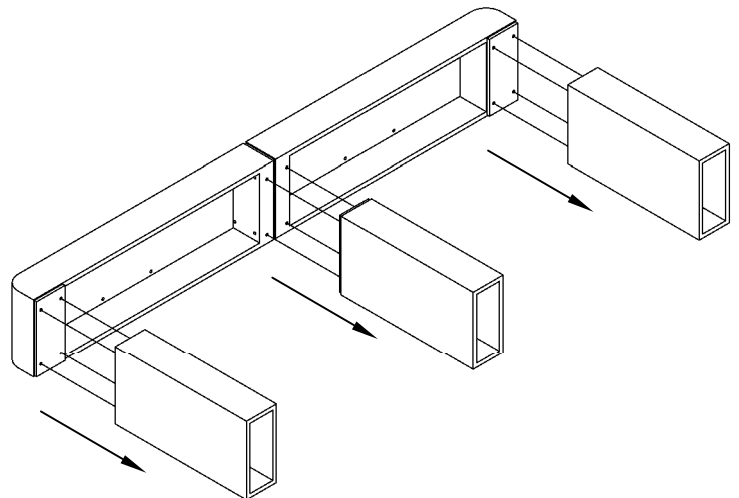
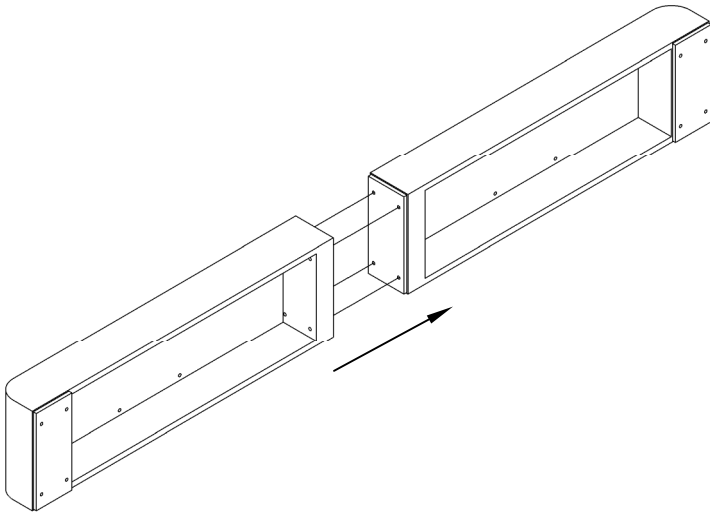


Quantities vary depending on number of modules ordered:

A: Mirror Section  
B: Main Body  
C: Side Legs  
D: Centre Leg

NOTE: Lunar Styling Unit instruction details demonstrate the assembly process for any Lunar option. Whichever unit configuration is being used, please use the same methods as detailed within these instructions.

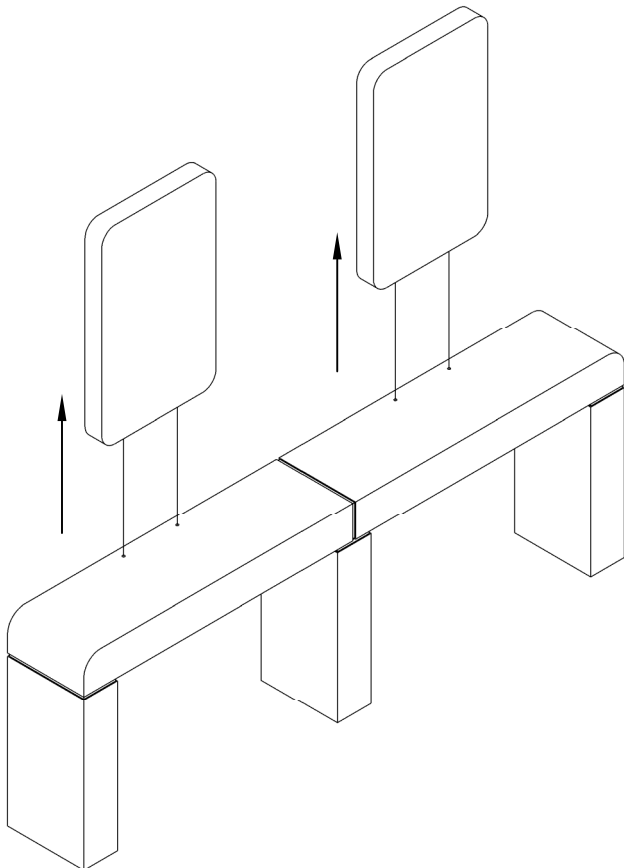
NOT SHOWN  
E: M8 Bolts  
F: Washers



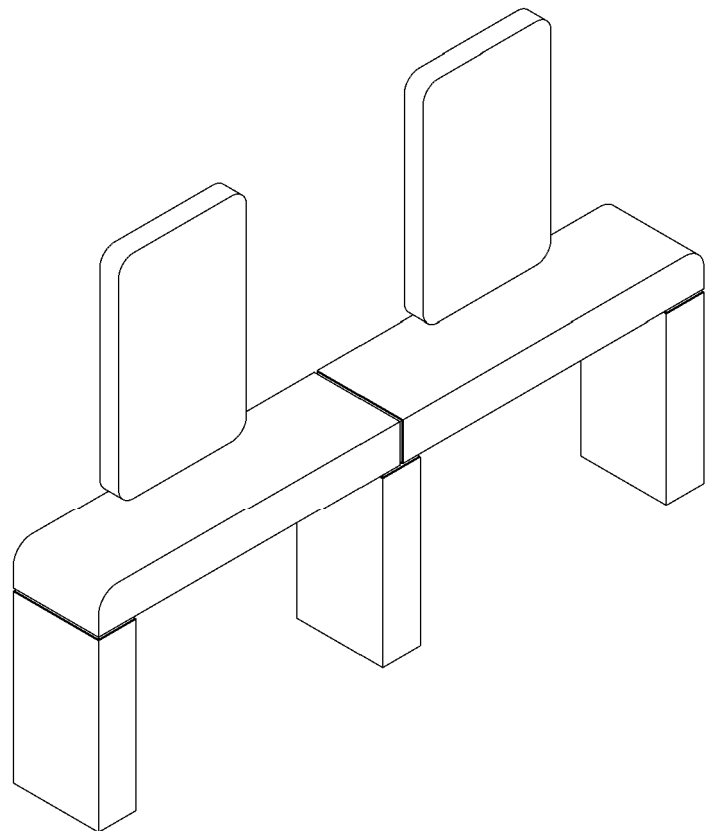
Minimum 2 person required for this full assembly:

1. Carefully unwrap components and ensure all pieces are in order. Carefully place Main Bodies (B) onto side on a clean surface. Connect together using M8 Bolts and Washers (E&F) provided, bolting from underside of main body.

2. Fasten Legs (C&D) to Main Body (B) using fixings provided (E&F). Bolt down through body into legs.



3. Carefully turn unit onto legs, adjust feet to ensure units are level. Attach Mirror Section (A) from underside of unit using M8 Bolts and Washers (E&F) provided. Repeat same process for any unit containing more than 1 Mirror Section.



4. Position unit in required location & fix unit to wall (wall units) from underside of main body (no fixing provided).

Unit complete.

## **Fabrics:**

### DECLARATION OF CONFORMITY OF CERTAIN FIRE RETARDANCY STANDARDS.

BS 7176 is the British Standard which specifies the requirements for the resistance to ignition of upholstered furniture manufactured for seating or similar usage, but excluding use on domestic furniture or transport seating. Tests have been carried out on all REM products and fabrics in accordance to BS EN 1021-1: 2006 and BS EN 1021-2: 2006 which satisfy the performance requirements of Low Hazard Category of BS 7176 (resistance to ignition sources: Smouldering Cigarette and Match Flame Equivalent).

Typical examples of furniture that are required to meet the Low Hazard Category are Schools, Colleges, Offices, and Day Centres.

All of the cloths the REM swatch are available on the majority of REM products and meet the Medium Hazard Category (Public Buildings, Restaurants, Hotel Bedrooms, Hospitals etc) of BS 7176 which is similar to the above but also includes the Ignition Source 5 test of BS 5852: 2006.

It should be noted also, that whilst the test levels for the various hazard categories are set after careful consideration of the particular end-user environments involved, they are not intended to reflect the behaviour of the upholstery in a fully developed fire. A label is available for use on items produced in accordance with this standard, although there is no legal requirement to attach said label. These can be supplied on request at the time of ordering (printed to suit Low and Medium Hazard Only).

All products are subject to availability. REM reserves the right, without further notice, to alter the material specification of our products, if necessary to provide the highest levels of product quality.

## **Laminate:**

Each laminate shown in the REM swatch has been carefully selected from the Polyrey, Wilsonart & Egger Quality Collections of high pressure laminates (HPL). They can all be postformed (with the exception of Alu Brosse), and are suitable for commercial use. Please note that Matt Black has a tendency to fine scratching and finger marks when applied to horizontal working surfaces.

REM has made every effort to ensure that the Laminates presented in our swatch book are as the original. All products are subject to availability. REM reserves the right, without further notice, to alter the material specification of our products, if necessary to provide the highest levels of product quality.

Please ensure that you discuss any queries with our technical staff. For more colour ideas visit [www.rem.co.uk](http://www.rem.co.uk).

## **NOTE**

REM declines all responsibility for any injury to persons or damage to property caused by installation or assembly that has not been carried out in compliance with the general warnings, and the installation instructions of the pole/base and/or wall arm. REM declines all responsibility for any injury to persons or damage to property caused by installation or assembly carried out by non-qualified persons. REM declines all responsibility for injury or damage resulting from the unsuitability of the wall for the wall hood processor and arm only.

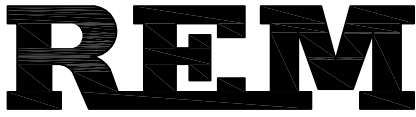
## **Environmental Protection**



The crossed-out wheeled bin symbol which you will find on the Rating Plate attached to your product, or appearing in the Assembly/Operating Instructions, signifies an obligation by you as purchaser or owner, to dispose of the equipment in accordance with the European Directive 2002/96/EC. This is a statutory instrument commonly known as the 'WEEE Regulations', which effectively requires you to carry out disposals of all Electrical and Electronic Equipment separately from your usual waste facilities. Specialist waste controls, designated by the Government (or Local Authorities) are to be made available to prevent potentially harmful substances affecting the environment and causing a possible human/animal health risk.

More detailed information is available from your local Environmental Health Office, Local Authority Waste Disposal Service, or the sales point from which the product was originally purchased.

REM's Producer Registration Number is **WEE/BJ0066TW**



# Declaration

## Guarantee

### ***What this Warranty Covers***

This warranty covers any product defects arising from faulty materials or workmanship; or defects arising from direct delivery transport damage. It is important to note that damages must be reported within 72 hours and are only covered for the address on the REM delivery note. Any issues relating to incorrect specification or missing components must be reported within 28 days from delivery.

### ***What this Warranty Does Not Cover***

Any problems arising from damage caused by misuse, failure to install correctly, damage caused during 3rd party transportation and storage, or fair wear and tear. (Goods delivered by the wholesaler or courier arranged by the wholesaler or end user will be classed as 3rd party transportation.)

### ***What is the period of this Warranty?***

This Warranty extends for a period of three years from date of purchase. Customers must retain their receipt from the supplying REM Distributor as proof of purchase. Any wholesaler stock items will be covered for three years, where applicable, from date of purchase from the wholesaler but exclude transport damage.

### ***What we will do to correct problems***

REM will, at its discretion, repair or replace defective products. During the first year of ownership for UK Mainland customers only, REM will supply and, at its discretions, fit replacement parts or products. In years 2 and 3 for UK Mainland customers and for years 1, 2 and 3 for all customers outside UK Mainland, REM will supply replacement parts or products at its cost.

### ***What we will not do***

REM will not be responsible for any associated costs of refitting or reinstalling any products which have been replaced nor will it be responsible for any costs incurred arising from the non-availability of its products awaiting repair or replacement.

### ***How do you get service?***

Should any problems arise with your REM product please use the REM Support Link which is found at <http://www.remsupport.co.uk/>.

### ***How does this affect my statutory rights?***

This three year warranty in no way affects your statutory rights and is intended as an additional safeguard and benefit for buying and using REM products.

### ***Notable Exceptions to the warranty***

1. Miranda Dryer is covered by 12 month warranty only.
2. Rio Mag Lamp is covered by 12 month warranty only.
3. Apollo, Apollo Lux, Studio, Jupiter, Nero, Penta and Monet Trolleys are covered by 12 month warranty only.
4. Any repairs carried out by REM personnel or accredited REM engineers have a 3 month guarantee.

### ***Other Exceptions to the warranty***

1. Upholstered seats are covered by a 3 year warranty except for where cloth gathers or stretches under use.
2. Dryer Pole Wing Nuts are considered a wearable part and not covered by warranty.
3. Hoses for REM washpoints are considered a wearable part and not covered by warranty.
4. Handsets for REM electric couches are only covered by warranty for the first 12 months.
5. Stained Upholstery due to hair dye and other products are not covered by warranty.
6. Stained Upholstery due to denim or similar are not covered by warranty.
7. Stained work surfaces due to nail varnish and similar products are not covered by warranty.
8. Damaged glass components or mirrors are not covered under warranty unless the damage was occurred during delivery and reported within 72 hours.
9. Visors on REM Hood Dryer are covered by warranty for transit damage only.
10. Any items damaged in transit are only covered by warranty if delivered on REM vehicles or REM appointed subcontractors. Any items collected from REM by customers or where collection has been arranged by customers are not covered for any transit damage.
11. Any items purchased from REM Reconditioned stock, invoiced on a code beginning with 3045 are not covered by warranty.
12. Any items purchased from Ebay or similar are not covered by warranty.

### **REM Returns Policy**

All defects arising from faulty materials or poor workmanship; or defects arising from transport damage will be returned to REM at no cost to the customer.

Where REM agree to replace a product, the replacement item will be charged to the customer's account. The returned unit will be credited in full once it has been received back at REM. In cases where the reported fault cannot be found, no credit will be authorised.

Unwanted goods, or items not meeting customer requirements; which are free from the defects listed above, un-used, and in its original packaging will be considered for credit by a duly appointed representative of REM. A minimum charge of £60 will apply and will be communicated before the returns order is processed.

Items manufactured to the specific requirements of the customer (such as made-to-order furniture and upholstery; and bespoke furniture) are non-returnable. If the item is faulty it will be replaced or repaired at REM's cost, as per our terms and conditions.

REM will attempt collection of an arranged return a maximum of two times at which point the customer/wholesaler will have to arrange their own transportation for the goods to be sent back to REM or the returns note will be cancelled and any charges on the note will be applied to the account.

**Please ensure that you discuss any queries with our technical staff:**

**www.rem.co.uk**

**sales@rem.co.uk**

**customerservice@rem.co.uk**

**+44(0) 1282 619 917**